



Pilous

Železná 9, 619 00 Brno, Czech Republic

Tel.: +420 543 25 20 10

e-mail: wood@pilous.cz, www.pilous.cz

CTR 750 GX MOBIL



4140 x 34-35 x 0,9-1,0 mm

Max. log diameter	750 mm
Max. opening between blade guides	620 mm
Max. elevation of blade	635 mm
Min. log height	25 mm
Max. depth of cut	255 mm
Total sawing length	4,2 m
Min. log length	0,75 m
Length extending section	2,25 m
Total length of the machine including the trailer	6.489 mm
Saw blade motor	8,7 kW (11 HP)
Sawblade	4140 x 34-35 x 0,9-1,0 mm
Trailer weight	396 kg
Total weight of the machine including the trailer	661 kg
Extending section weight	106 kg

DESCRIPCIÓN DEL PRODUCTO

Feed into the cut and back - hand-operated

Arm height adjustment - manual

Control panel - on a mobile bridge

Log handling - manual

Maximal log length: 4,2 m

The machine is mounted on a stable trailer that allows easy transport of the machine to the sawing location. The total weight of CTR 750 GX mobil with a trailer is 661 kg.

Check your vehicle's registration card for the maximum permissible trailer weight!

The trailer is fitted with six robust, infinitely adjustable support legs. These ensure stability both when loading and handling the log and during the sawing itself. Easy loading of the log onto the loading area of the machine using a manual winch and a ramp for log loading (accessory). The trailer is homologated, including the complete machine. The standard length can be extended using the Mobil extending section, see accessories.

The trailer is single-axle and non-braked. The delivery also includes a waterproof tarpaulin, protecting the bridge with the sawmill arm from rain during transport or parking. For secure fastening, the tarpaulin is fitted with grommets and a steel cable with ends allowing the use of a padlock. The maximum permissible speed is 130 km/h.

Ideal solution for family farms or small sawmilling companies. Simple hand feed into the cut and back. Height is adjusted using a hand crank with an adjustable scale.

In contrast to the standard version, the sawmill is equipped with a professional Honda 8.7 kW (11 HP) petrol engine. Sufficient engine power allows trouble-free processing of logs of large diameters in all applications without the possibility of using an electric motor. Overall low weight allows easier transport of the machine. Due to the higher weight and vibrations of the petrol engine the construction of the traveling bridge and sawmill arm is completely reinforced. It is designed primarily for cutting smaller volumes of lumber. Ideal solution for family farms or small sawmilling companies. Very simple hand feed into the cut and back. The control panel is placed on a mobile bridge of the sawmill arm. Thanks to that the operator has closer access to the workpiece when cutting.

The tensioning wheel system moves in a cast iron guide, which guarantees long service life and precision adjustment even with long-term use of the machine. The arm is fitted with aluminum running wheels with precise anti-vibration balancing. The circumference of the wheel has a recessed groove in which a replaceable rubber-textile V-belt is fitted, which forms the contact surface between the wheel and the saw blade.

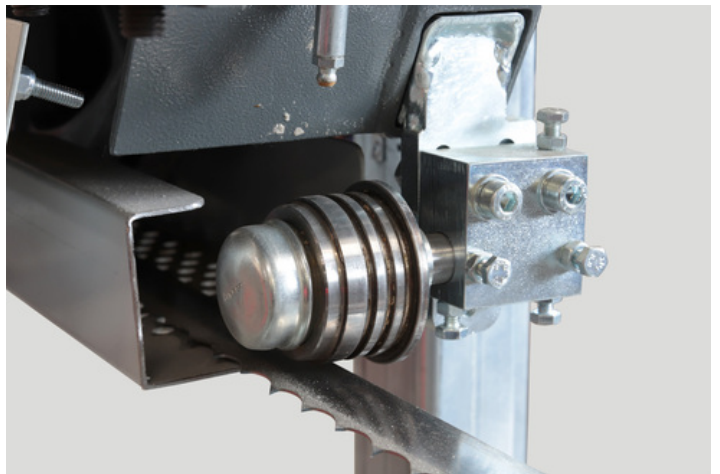
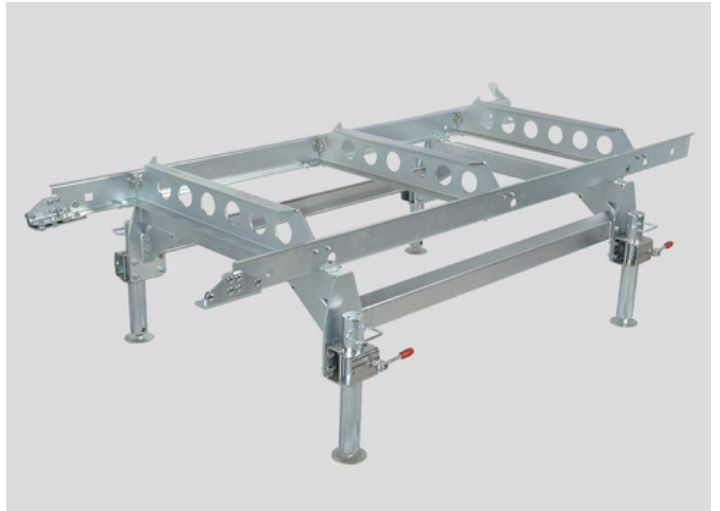
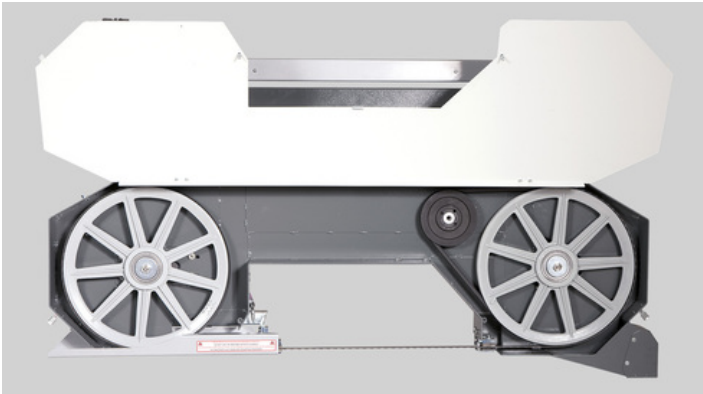
The stability of the machine is based on very solid steel travel sections, which ensure optimum guidance of the sawmill arm bridge. The travel sections are fitted with tilting angle bars and log clamps/cam dogs.

The sawmill CTR 750 GX mobil uses standard saw blades 34-35 x 0,9-1,0 mm as with the fully professional models.

The CTR model series represents the latest trends in sawmill design, with special emphasis on maximum accuracy and long service life at minimum cost. The machines are designed in an original modular way, which allows easy replacement or adjustment of all main technical nodes and their individual parts. This significantly reduces maintenance costs in the long-term use of the machine and also reduces service times, thus reducing production downtime.

All pictures shown are for illustration purpose only. Actual product may vary due to product enhancement.

GALERÍA DE IMÁGENES





ACCESORIOS

ACCESORIOS – SPECIAL ACCESSORIES



**Extending section
2,25m Mobile**

Extending section Mobil 2,25 m
The cutting length of one section is 2.25 metres and the sections can be connected to each other. It can extend the total cutting length of mobile log band saws. The extending section consists of a very stable support structure that holds travel sections of the same design as those on the trailer. The Mobil extending section is fitted with four sturdy, continuously adjustable support legs. These ensure stability both when loading and handling the log and during the sawing itself. The Mobil extending section forms a separate unit. **Due to its weight, it must not be transported on the trailer.** It must be transported separately, either as a whole or disassembled.



**Log loading kit-
mobil**

Log loading kit (ramp with winch)
Allows logs to load on the trailer. Include a ramp and winch.



**Additional winch
holder**

Additional winch holder
The auxiliary winch holder saves your time if you frequently change the length or conicalness of the log being cut. You no longer need to move the base winch holder.



Log turner - hook

Log turner - hook
When attached to the rope winch, it facilitates log turning.



Cant hook

Gancho volteador
Se utiliza para girar, rodar y manipular troncos. La punta puede usarse para separar troncos o clavarse en el suelo para proporcionar estabilidad durante el trabajo. El gancho volteador se fabrica en longitudes de 79 cm y 125 cm (incluida la punta).



**Clamp with tilting
angle bar**

Clamp with tilting angle bar
Additional clamping kit. It consists of the clamp and a tilting angle bar.



Additional clamp

Additional clamp



Cam dog

Cam dog
For fast and easy squared lumber clamping.



Grease Gun

Grease Gun

For regular maintenance of the machine according to the lubrication plan. Metal grease gun for 400g tubes. Equipped with a flexible pressure hose.



**Synthetic Grease LV
2-3**

Synthetic Grease LV 2-3

400g tube for the grease gun.

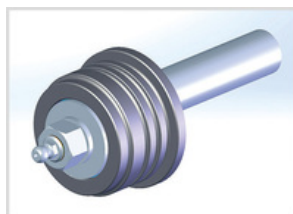
ACCESORIOS – CONSUMABLE PARTS



**Running Wheel V-
belt SPB 1850
Driven Wheel V-belt
17x1560 Lw**

**Running wheel wedge belt SPB
1850**

Wheel wedge belt B 17x1560 Lw



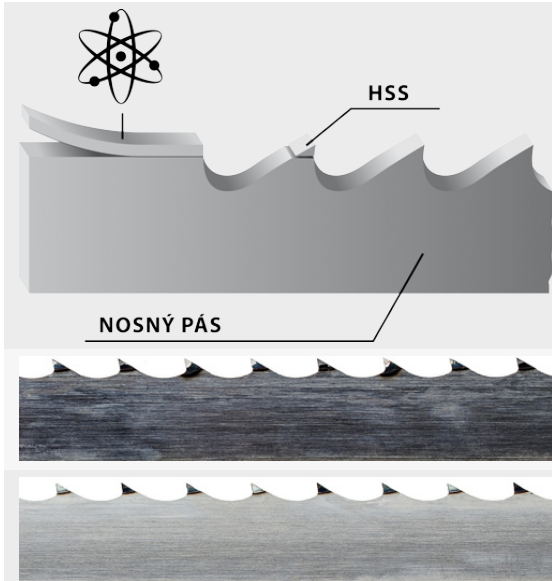
**Blade Roller Kit VK
750**

Blade Roller Kit VK 750

Hardened roller, bearings, and shaft designed for a sawmill blade 35 mm.

MAXWOOD

- The original sawmill blades PILOUS MAXwood are available in a variety of types which enables you to process any kind of wood.
- The wide product range not only offers more affordable sawmill blades for low-volume cutting, but includes also sawmill blades for fully professional cutting and utmost performance.
- The foundation of all sawmill blades are top-quality German materials and precise workmanship. The quality of the sawmill blades is carefully monitored. All sawmill blades correspond to the strict ISO 9001 norm.
- We have added to our portfolio also an original Munkfors sawmill blade made by the world's leading manufacturer Uddeholm from Sweden.
- Pilous sawmill blades are used in dozens of countries around the world. Any wood you cut, the company Pilous will recommend you a sawmill blade that will fit your needs.



BiMetal

Sawmill blade with tool steel teeth - completely eliminates the need to sharpen the sawmill blade as well as frequent blade replacement. Use: soft, hard to extremely hard wood.

HSS

Bearing blade

Stellite

Sawmill blade with teeth made of Stellite. Tooth setting is completely unnecessary. Use: soft, hard to extremely hard wood.

Carbon / Chrom-Vanadium spring steel

The most common sawmill blade for optimum price/performance ratio. Use: soft and hard wood.



Be careful when unpacking welded sawmill blades. They are in a shipping container in tensioned condition. Remove the sawmill blade cover only after fitting it onto the machine.

